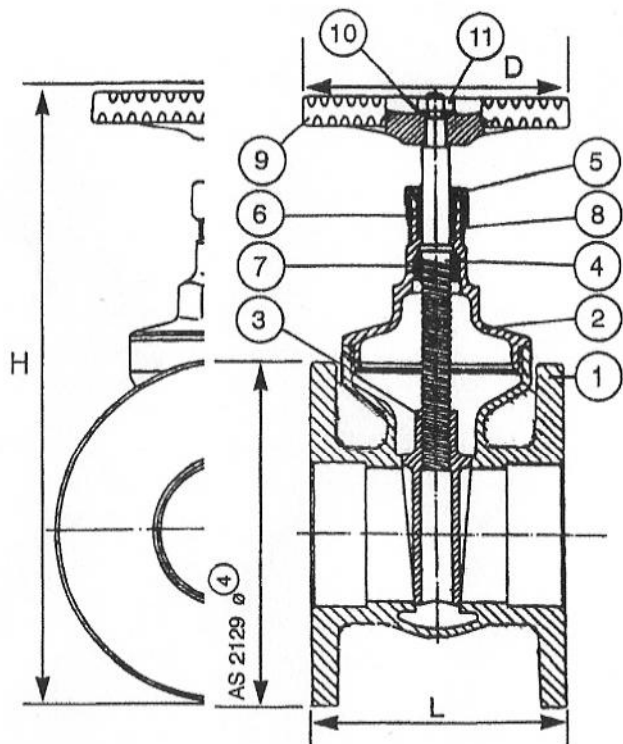
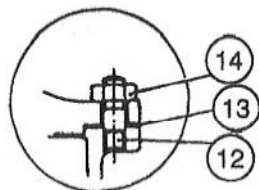
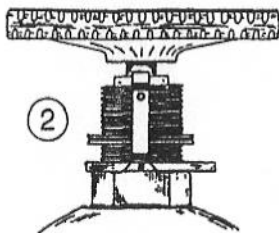


- Options:**
- Bronze Handwheels ①
  - Open-Shut Indicators ②
  - Locking Devices ③



\*Suitability for  
Potable Water Services



NOTE  
Bolted Bonnet – Size 100mm

**Flanges:**

AS2129: Table 'F' & 'H'

④ Available: ANSI · JIS · DIN

**Dimensions**

Size mm	8	10	15	20	25	32	40	50	65	80	100
L			70	74	89	102	117	143	156	172	210
H			106	110	125	140	162	190	241	260	370
D			65	65	90	90	90	120	150	150	190
Wt/kgs			1.7	2.0	3.0	4.5	5.5	9.0	12.5	16.0	31.0

■ **Pressures:** 2100 kPa CWP  
Maximum Working Pressure @ 100°C

■ **Standards:** Dezincification Resistant  
AS 1628 – 1994: Copper Alloy Valves  
AS 3855: Materials to suit Potable Water Service

ITEM	DESCRIPTION	MAT'L	STANDARD
14	STUD NUT	M.STEEL 2P	8 PCS
13	GASKET	NEO CORK	
12	STUD BOLT	M.STEEL 2P	8 PCS
11	HANDWHEEL NUT	DR BRASS	AS1567
10	NAMEPLATE		
9	HANDWHEEL	ZINC ALUM BRONZE	AS1874 AS1565
8	PACKING	PTFE GPI BUSH	AS1198
7	STUFFING BOX	DR BRASS GUNMETAL	AS1567 AS1565
6	GLAND FOLLOWER	DR BRASS	AS1567 -352
5	GLAND NUT	DR BRASS	AS1567 -352
4	SPINDLE	DR BRASS	AS1567
3	WEDGE	GUNMETAL BRONZE	AS1565 C83600M
2	COVER – BONNET	GUNMETAL BRONZE	AS1565 C83600M
1	BODY	GUNMETAL BRONZE	AS1565 C83600M

**PVA PROMET VALVES AUSTRALIA**  
1A Green Road Woodville West SA 5011  
www.prometvalves.com    promet@prometvalves.com  
T: 08 8268 1777    ABN 47096 425 697    F: 08 8268 1711

FIG No  
**T60**      BRONZE GATE VALVE  
FLANGED      CLASS 21  
PN 20